

PREMIUM COLLECTION

HIGH WIND RATED  
ROLLING GARAGE DOOR

**Roll-A-Door**<sup>®</sup>



Protect  
your home

The B&D Wind locked Roll-A-Door has been independently certified for use in all cyclone-affected regions throughout Australia. The system is designed to provide resistance against high winds by holding the door curtain captive in the guides.

Our wind-locked doors are suitable for homes and sheds, and are also ideal for use in commercial and industrial applications. The system delivers maximum durability, strength, added security, and complies with the high wind requirements stated in the National Construction Code.

PROTECTION AGAINST HIGH WINDS

NEAT INTERNAL APPEARANCE

INDEPENDENTLY CERTIFIED

PROTECTS AGAINST FORCED ENTRY

SUITED TO RESIDENTIAL & INDUSTRIAL

DURABILITY & STRENGTH



**Doors & Openers**<sup>®</sup>

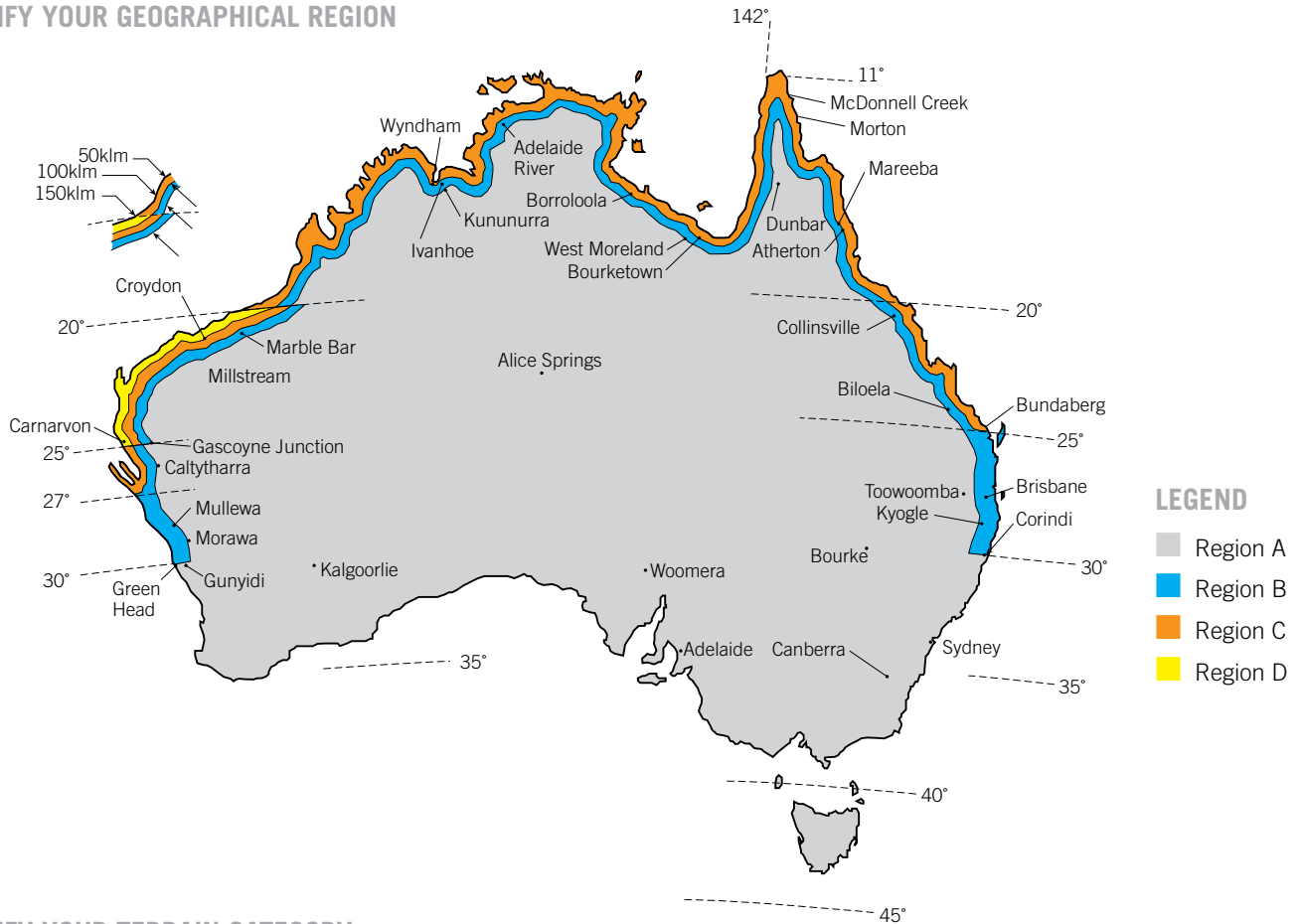
THERE'S SO MUCH MORE BEHIND A B&D DOOR

Call **13 62 63** or visit [www.bnd.com.au](http://www.bnd.com.au) for further information

# High Wind Regions & Terrain Categories

Simply select your geographical region, followed by relevant terrain category to identify maximum allowable spans for your high wind solution.

## 1. IDENTIFY YOUR GEOGRAPHICAL REGION



**LEGEND**

Region A	Grey
Region B	Blue
Region C	Orange
Region D	Yellow

## 2. IDENTIFY YOUR TERRAIN CATEGORY

### TERRAIN CATEGORY 3 (TC3)



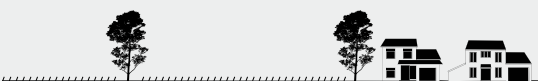
Terrain with numerous closely spaced obstructions having heights generally from 3m to 10m. The minimum density of obstructions shall be at least the equivalent of 10 house-size obstructions per hectare, e.g. suburban housing or light industrial estates.

### TERRAIN CATEGORY 2.5 (TC2.5)



Terrain with a few trees or isolated obstructions. This category is intermediate between TC2 and TC3 and represents the terrain in developing outer urban areas with scattered houses, or large acreage developments with fewer than 10 buildings per hectare.

### TERRAIN CATEGORY 2 (TC2)



Open terrain including grassland with well-scattered obstructions having heights generally from 1.5m to 5m with no more than two obstructions per hectare, e.g. farmland and cleared subdivisions with isolated trees and uncut grass.



### 3. MAXIMUM ALLOWABLE SPANS SERIES 1 MAXIMUM DOOR WIDTHS

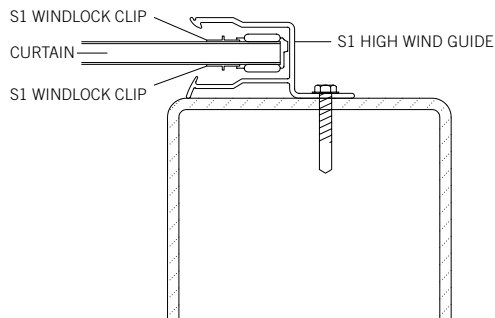
REGION	TERRAIN (CATEGORY)	UP TO 3.0m HIGH
		CLIPS AT EVERY FLAT
A	2	3.15m
	2.5	3.15m
	3	3.15m
B	2	3.15m
	2.5	3.15m
	3	3.15m
C	2	3.15m
	2.5	3.15m
	3	3.15m

### SERIES 2 MAXIMUM DOOR WIDTHS

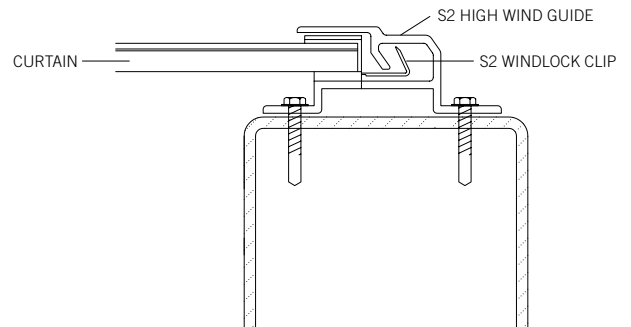
REGION	TERRAIN (CATEGORY)	UP TO 5.1m HIGH	
		CLIPS AT EVERY FLAT	CLIPS AT EVERY SECOND FLAT
A	2	5.5m	5.5m
	2.5	5.5m	5.5m
	3	5.5m	5.5m
B	2	5.5m	3.9m
	2.5	5.5m	4.35m
	3	5.5m	5.0m
C	2	5.5m	N/A
	2.5	5.5m	N/A
D	2	3.0m	N/A
	2.5	3.35m	N/A

Note: 1. For wind regions A & B, internal pressure coefficients (Cpi) of -0.3 & +0.2 were adopted.  
2. For wind regions C & D, internal pressure coefficients (Cpi) of -0.3 & +0.6 were adopted.

#### SERIES 1 WINDLOCK SYSTEM



#### SERIES 2 WINDLOCK SYSTEM



B&D Remote Opener



Controll-A-Door Diamond PD - Power Drive



**Roll-A-Door®**

B&D have a range of accessories to increase the functionality of your B&D door or opener. Call us on **13 62 63** or visit [www.bnd.com.au](http://www.bnd.com.au) for the complete range of B&D products and accessories.

### FULLY TESTED SYSTEM

Our wind-locking technology incorporates a unique clip design fitted to the edge of every flat on our high wind rolling doors. When exposed to high wind situations, this clip design ensures the door is held captive in the door track, it reduces the risk of both blow-in and blow-out wind forces, and provides added protection against forced entry.

### ENJOY THE CONVENIENCE

For easier operation of your Roll-A-Door, add a B&D Controll-A-Door automatic garage door opener. Designed to perfectly suit your door, the Controll-A-Door provides:

- Convenience – one push of the remote button and you drive straight into your garage.
- Tri-Tran™ technology – for greater reliability and minimal interference. When you push your transmitter button, you can trust your door will open.
- Comfort – no more lifting heavy doors.
- Value – adds value to your home.
- Safety – forget getting out of the car on those dark or rainy nights. The courtesy light also allows you to see inside the garage.
- Security – protection for yourself and your property with a positively locked garage door.
- Low standby wattage – saving you money on your power bill, and reducing greenhouse gas emissions.

B&D Rolling Door products have been tested in accordance to the wind requirements of AS/NZS 4505:2012 (Garage Doors & Other large Access Doors) which complies to AS/NZS 1170.2:2011 (Wind actions) and AS 4055:2012 (Wind loads for housing).

YOUR **B&D REPRESENTATIVE** IS:

B&D Doors has offices servicing all states. For more details on this product or our other ranges, call **13 62 63** or visit [www.bnd.com.au](http://www.bnd.com.au)

International Customers call **+61 2 9722 5555**  
fax **+61 2 9771 6385** or email [bndint@bnd.com.au](mailto:bndint@bnd.com.au)

- Roll-A-Door doors, in normal residential use, are covered by a 7 year warranty for steel door curtain, covering steel cracking and lock seam failure and associated labour, 12 months on surface coating, locking mechanism and all other components and all associated labour (excludes salt corrosion), conditional on proper care, as recommended in the door's handbook. Full details of the warranty are available from [www.bnd.com.au](http://www.bnd.com.au). Warranty only applies to doors purchased and installed in Australia or New Zealand. Warranty only valid if warranty conditions are met.
- For areas within one kilometre of a corrosive environment eg. salt air or industrial fallout, special care and maintenance are generally required for metal products. Consult B&D or your B&D Accredited Dealer for advice.
- The company reserves the right to make changes or improvements to the products or accessories without notice and without incurring any obligation to make similar changes or improvements to goods previously ordered. Specifications subject to change without notice.
- Prefix Trademarks are trademarks of B&D Australia Pty Ltd.
- B&D products have many patents and registered designs applicable.
- While BlueScope Steel Limited is our preferred supplier, steel products from other sources may also be used.
- Details correct at date of publication.



**Doors & Openers®**

THERE'S SO MUCH MORE BEHIND A B&D DOOR

CATADY\_06/13

B&D Doors & Openers is a division of B&D Australia Pty Ltd, ABN 25 010 473 971 © 2013 B&D Australia